



ielab

Making quality control easy



348954 574

**ielab** is a growing company, with a wide experience in the analytical sector, whose mission is:

*“To provide products and services for Quality Control in the laboratory”*



1993

- Proficiency Testing Schemes (PTS) in the microbiological field are organized as an internal necessity.
- Participation in the European project EQUASE

1996

- Strategic alliances are made with Fundación CALITAX as a commercial/marketing partner for microbiology and chemistry in the environmental field.

2003

- An Association of Economic Interest (AEI) with CALITAX is established.

2005

- Accreditation of this AEI as a Proficiency Testing Schemes Provider by ENAC (Spanish National Accreditation Body), following ISO 17043.

2010

- Establishment of ielab as an independent company

2012

- ielab joins PT-WFD and organizes with this network PTS on various organic compounds

2014

- ielab becomes the first accredited Reference Material Producer, following ISO 17034, in Spain

## Proficiency Testing Schemes

Determination of laboratory performance by means of interlaboratory comparisons.

### Some figures in 2016

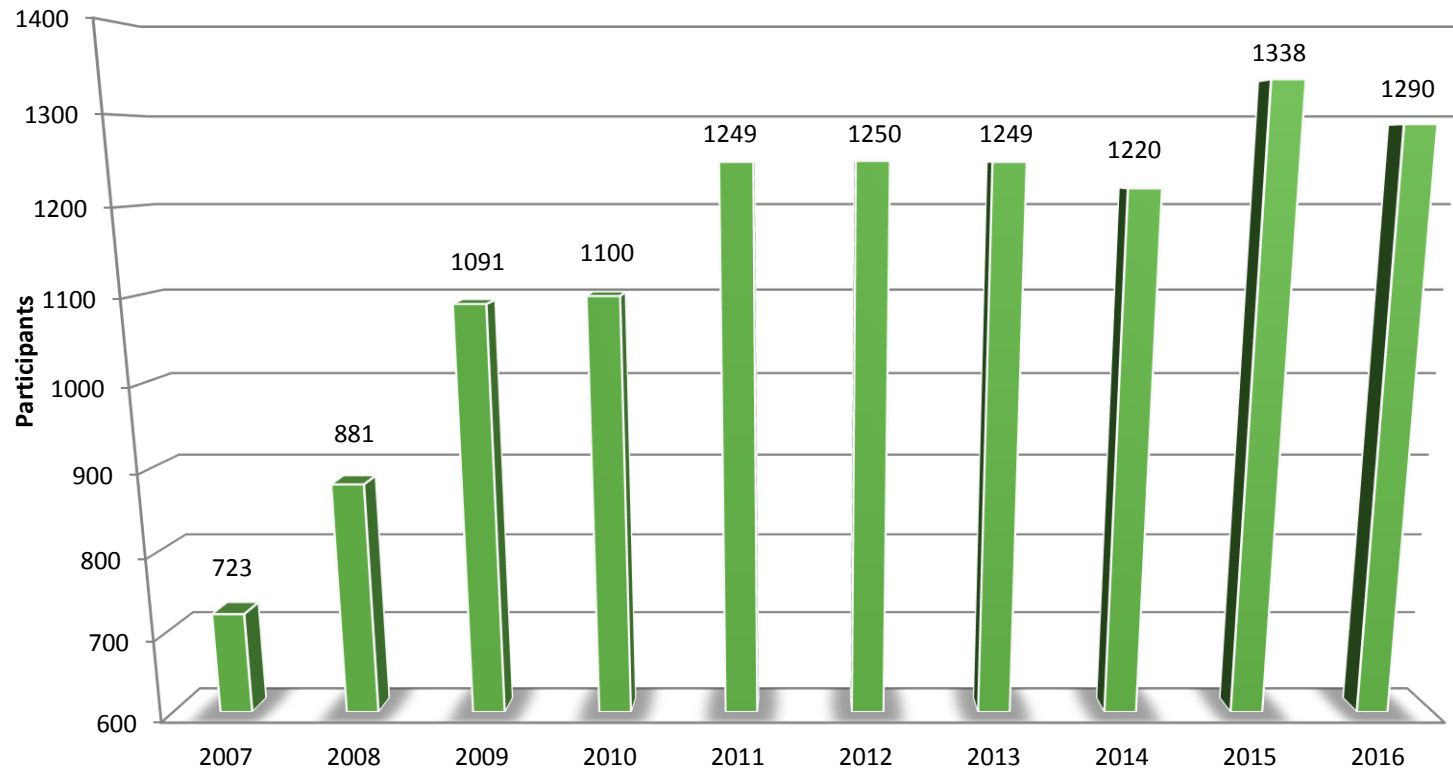
- > **20** Years of experience
- 23** Different environmental schemes
- 1.290** Participants
- > **41** Countries



## 2017 PTS offer

- Potable Water:Physical-chemical A
- Potable Water:Physical-chemical B
- Potable Water:Physical-chemical C
- Potable Water:Microbiology
- Directive 2000/60/EC (list priority substances)
- Raw Water
- Hydrocarbons of Petroleum
- Continental Water: Microbiology
- Waste Water: Physical-chemical
- Reclaimed Water
- Solids in Waste Water
- Waste Waster: Microbiology
- Stack Emissions
- Sea Water
- Sludges: Physical-chemical
- Sludges: Microbiology
- Soils
- Legionella* culture
- Legionella* PCR
- PCBs in dielectric oils
- Bottled Water
- Swimming Pool Water
- In situ* analysis

## PTS: Recent participants evolution



## Origin of our PTS participants



Expansion area: countries in the fringe area of Spain, Eastern Europe and South America

## Reference Materials (RM) & Certified RM (CRM)

Materials in which one or more of its properties has been established to be fit for its intended use. These materials can be certified if accompanied by a certificate that provides the value of the property and its associated uncertainty

### *Microbiological*

BAControl, BACuanti, BACuali



### *Physical-chemical*

Drinking water, wastewater, seawater, soils, sludges...



✓ ielab produces also an Accredited reference materials line



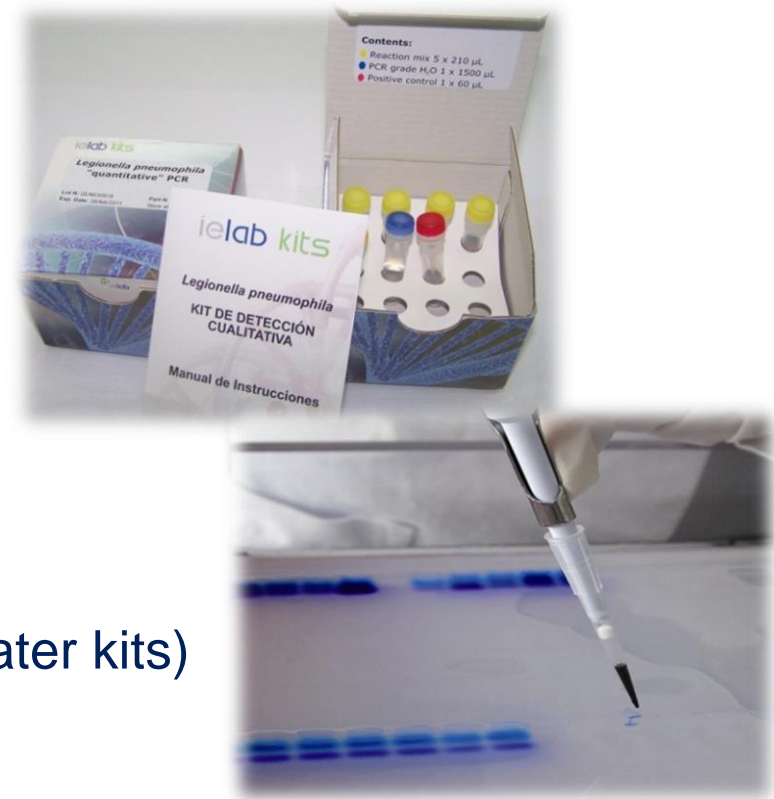


## Molecular Diagnostic Kits

Range of fast molecular diagnostic kits that make the use of PCR extremely easy

### ➤ Microbial detection/quantification kits

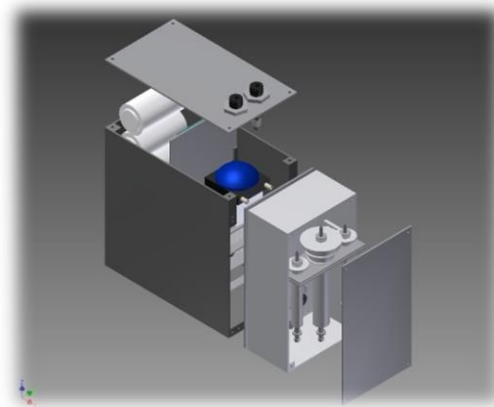
- *Legionella* spp
- *Legionella pneumophila*



### ➤ Sample preparation kits for PCR:

- Sample concentration
- DNA Extraction (clean / dirty water kits)

## Devices for sampling water pollutants: Continuous Flow Integrative Sampler (CFIS)



Automatic and autonomous device for sampling organic compounds in water distribution networks.

## Technical consultancy specialized in Quality Control

Our services are aimed at providing  
our customers with tools  
to move towards a  
**TOTAL QUALITY MANAGEMENT**  
in their companies



# Pioneers in quality ..... and in a continuous update



✓ 1<sup>st</sup> company accredited by ENAC as Proficiency Testing Schemes provider (2/PPI007), based on the ISO 17043

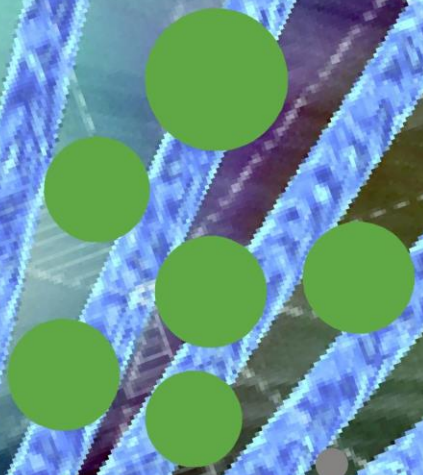
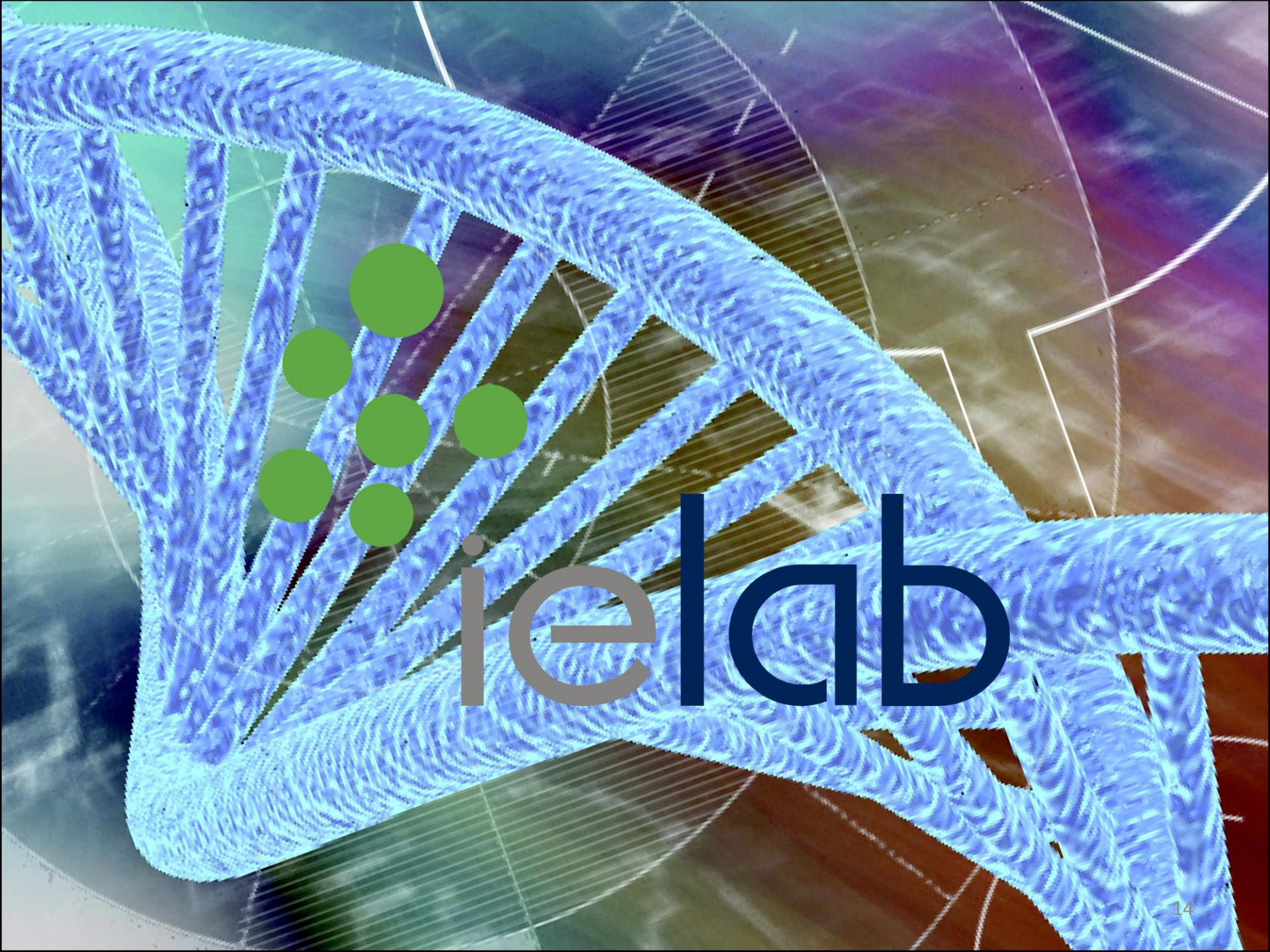
✓ 1<sup>st</sup> company accredited in Spain as a Reference Materials producer (1/PMR001), following ISO 17034

✓ ISO 9001 Certificate



## R & D+i production in the last years

- 70 SCIENTIFIC ARTICLES
- 60 FUNDED R+D PROJECTS
- 6 DOCTORAL THESES
- 110 PARTICIPATION IN SCIENTIFIC CONGRESSES
- 4 DEVELOPMENT OF PATENTS



ielab